



R e m o t e a i r v a l v e s

Individual mounting



Manifold mounting



Function	Port size	Flow (Max)	Individual mounting
3/2 NO-NC, 2/2 NO-NC	G1/8" - G1/4"	180 NI/Min	Inline

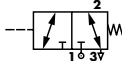
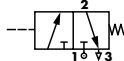
OPERATIONAL BENEFITS

1. Balanced poppet, immune to variations of pressure.
2. Short stroke with high flow.
3. Powerful return spring.
4. Maximum shifting forces.



HOW TO ORDER

Reset

Port size	Universal valve	NC only valve
		
G1/8"	1116A-114	1166A-114
G1/4"	1117A-114	1167A-114

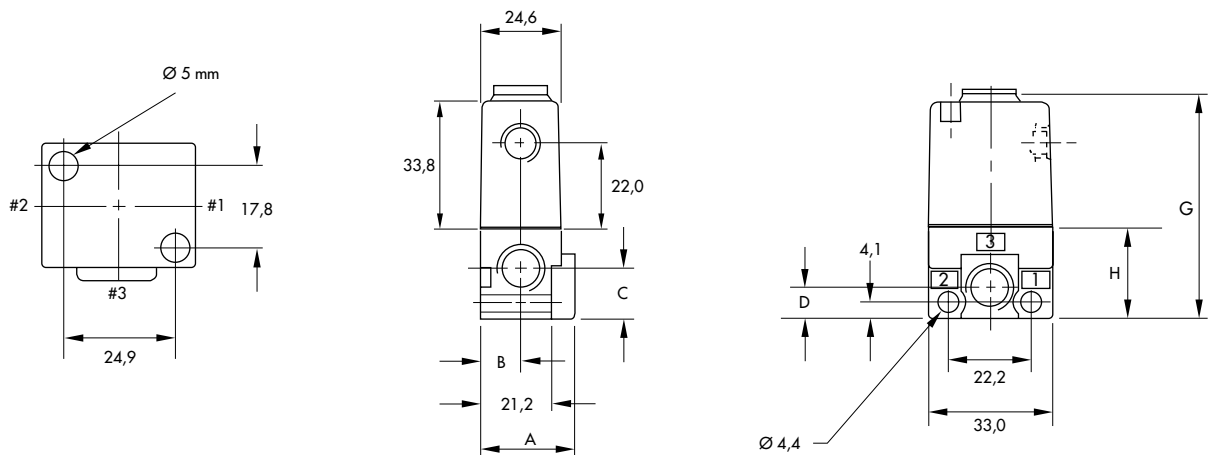
Air pilot port : G 1/8".

**TECHNICAL
DATA**

Fluid :	Compressed air, vacuum, inert gases
Pressure range :	Vacuum to 10 bar
Air signal pressure :	≥ 1.4 bar
Lubrication :	Not required, if used select a medium aniline point lubricant (between 80°C and 100°C)
Filtration :	40 μ
Temperature range :	-18°C to +50°C
Orifice :	2 mm
Flow (at 6 bar, ΔP=1bar) :	180 Nl/min (C _v 0.18)
Leak rate :	50 cm ³ /min

Options : • NPTF threads.

DIMENSIONS

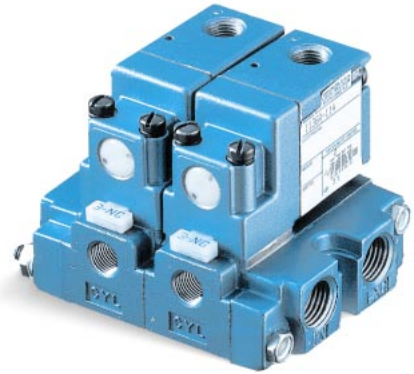


Port size	A	B	C	D	G	H
G1/8"	28,4	12,7	14,0	8,0	60,1	23,2
G1/4"	29,8	13,3	12,7	9,9	60,9	24,1

Function	Port size	Flow (Max)	Manifold mounting
3/2 NO-NC, 2/2 NO-NC	G1/8"	140 NI/Min	sub-base

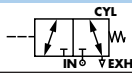
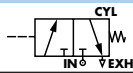
OPERATIONAL BENEFITS

1. Balanced poppet, immune to variations of pressure.
2. Short stroke with high flow.
3. Powerful return spring.
4. Maximum shifting forces.



HOW TO ORDER

Reset

Port size	Universal valve	NC only valve
		
Valve less base	1130A-114	1170A-114
Sub-base G1/8"	1136A-114	1176A-114

Air pilot port : G 1/8".
 End plate kit (G 1/4" ports) : A2-5004-01P.

**TECHNICAL
DATA**

Fluid :	Compressed air, vacuum, inert gases
Pressure range :	Vacuum to 10 bar
Air signal pressure :	≥ 1.4 bar
Lubrication :	Not required, if used select a medium aniline point lubricant (between 80°C and 100°C)
Filtration :	40 μ
Temperature range :	-18°C to +50°C
Orifice :	2 mm
Flow (at 6 bar, ΔP=1bar) :	G 1/8" : 140 NI/min (C _v 0.14)
Leak rate :	50 cm ³ /min

- Spare parts : • Function plate : A2-7009. • Pressure seal between bases : 16226. • Tie-rod (x2) : 19546.
- Options : • NPTF threads.

DIMENSIONS

